



**SEMITOP<sup>®</sup> 2**

## IGBT Module

**SK30GB067**

**SK30GAL067**

**SK30GAR067**

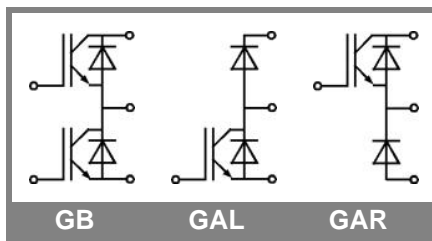
Target Data

### Features

- Compact design
- One screw mounting
- Heat transfer and isolation through direct copper bonded aluminium oxide ceramic (DCB)
- Hyperfast NPT technology IGBT
- N-channel homogeneous silicon structure (NPT Non-Punch-Through IGBT)
- Positive  $V_{ce,sat}$  temperature coefficient (Easy paralleling)
- Low tail current with low temperature dependence
- Low threshold voltage

### Typical Applications\*

- Switching (not for linear use)
- High Frequencies Applications
- Welding generator
- Switched mode power supplies
- UPS



Absolute Maximum Ratings		$T_s = 25\text{ °C}$ , unless otherwise specified		
Symbol	Conditions	Values		Units
<b>IGBT</b>				
$V_{CES}$	$T_j = 25\text{ °C}$	600		V
$I_C$	$T_j = 125\text{ °C}$	$T_s = 25\text{ °C}$	45	A
		$T_s = 80\text{ °C}$	30	A
$I_{CRM}$	$I_{CRM} = 2 \times I_{Cnom}$	120		A
$V_{GES}$		$\pm 20$		V
$t_{psc}$	$V_{CC} = 300\text{ V}; V_{GE} \leq 20\text{ V}; T_j = 125\text{ °C}$ $V_{CES} < 600\text{ V}$	10		$\mu\text{s}$
<b>Inverse Diode</b>				
$I_F$	$T_j = 150\text{ °C}$	$T_s = 25\text{ °C}$	45	A
		$T_s = 80\text{ °C}$	30	A
$I_{FRM}$	$I_{FRM} = 2 \times I_{Fnom}$			A
$I_{FSM}$	$t_p = 10\text{ ms}$ ; sinusoidal	$T_j = \text{ °C}$	180	A
<b>Freewheeling Diode</b>				
$I_F$	$T_j = 150\text{ °C}$	$T_s = 25\text{ °C}$	45	A
		$T_s = 80\text{ °C}$	30	A
$I_{FRM}$	$I_{FRM} = 2 \times I_{Fnom}$			A
$I_{FSM}$	$t_p = 10\text{ ms}$ ;	$T_j = \text{ °C}$	180	A
<b>Module</b>				
$I_{t(RMS)}$				A
$T_{vj}$		-40 ... +150		$\text{°C}$
$T_{stg}$		-40 ... +125		$\text{°C}$
$V_{isol}$	AC, 1 min.	2500		V

Characteristics		$T_s = 25\text{ °C}$ , unless otherwise specified			
Symbol	Conditions	min.	typ.	max.	Units
<b>IGBT</b>					
$V_{GE(th)}$	$V_{GE} = V_{CE}, I_C = 0,6\text{ mA}$	3	4	5	V
$I_{CES}$	$V_{GE} = 0\text{ V}, V_{CE} = V_{CES}$			0,004	mA
$I_{GES}$	$V_{CE} = 0\text{ V}, V_{GE} = 20\text{ V}$			240	nA
$V_{CE0}$				2	V
$r_{CE}$	$V_{GE} = 15\text{ V}$			30	m $\Omega$
$V_{CE(sat)}$	$I_{Cnom} = 60\text{ A}, V_{GE} = 15\text{ V}$	$T_j = 25\text{ °C}_{chiplev.}$	2,8	3,15	V
		$T_j = 125\text{ °C}_{chiplev.}$	3,5	4	V
$C_{ies}$	$V_{CE} = 25, V_{GE} = 0\text{ V}$	$f = 1\text{ MHz}$	3		nF
$C_{oes}$			0,3		nF
$C_{res}$			0,18		nF
$t_{d(on)}$	$R_{Gon} = 0\text{ }\Omega$	$V_{CC} = 400\text{ V}$ $I_C = 60\text{ A}$	40		ns
$t_r$			27		ns
$E_{on}$	$R_{Goff} = 0\text{ }\Omega$	$T_j = 125\text{ °C}$ $V_{GE} = \pm 15\text{ V}$	1,8		mJ
$t_{d(off)}$			265		ns
$t_f$			30		ns
$E_{off}$			1,7		mJ
$R_{th(j-s)}$	per IGBT			0,85	K/W



**SEMITOP<sup>®</sup> 2**

## IGBT Module

**SK30GB067**

**SK30GAL067**

**SK30GAR067**

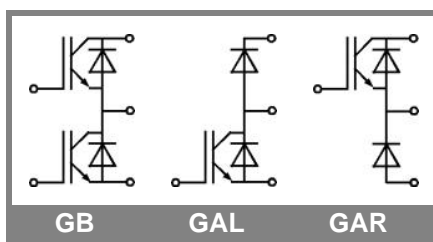
Target Data

### Features

- Compact design
- One screw mounting
- Heat transfer and isolation through direct copper bonded aluminium oxide ceramic (DCB)
- Hyperfast NPT technology IGBT
- N-channel homogeneous silicon structure (NPT Non-Punch-Through IGBT)
- Positive  $V_{ce,sat}$  temperature coefficient (Easy paralleling)
- Low tail current with low temperature dependence
- Low threshold voltage

### Typical Applications\*

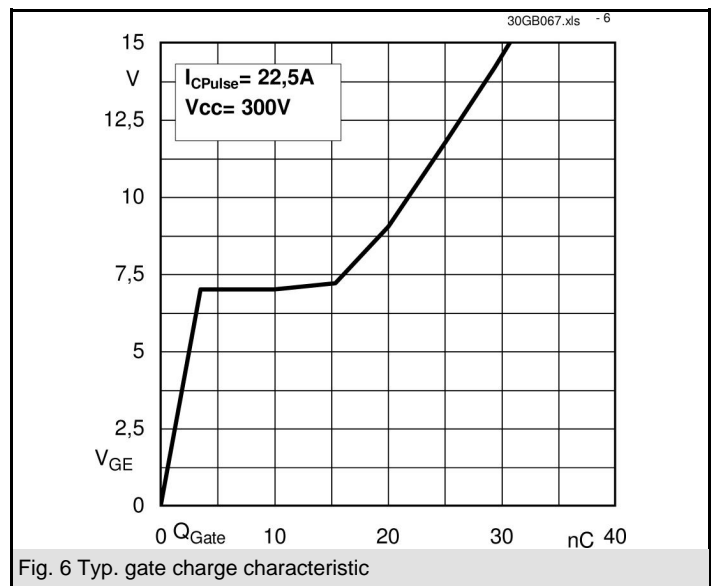
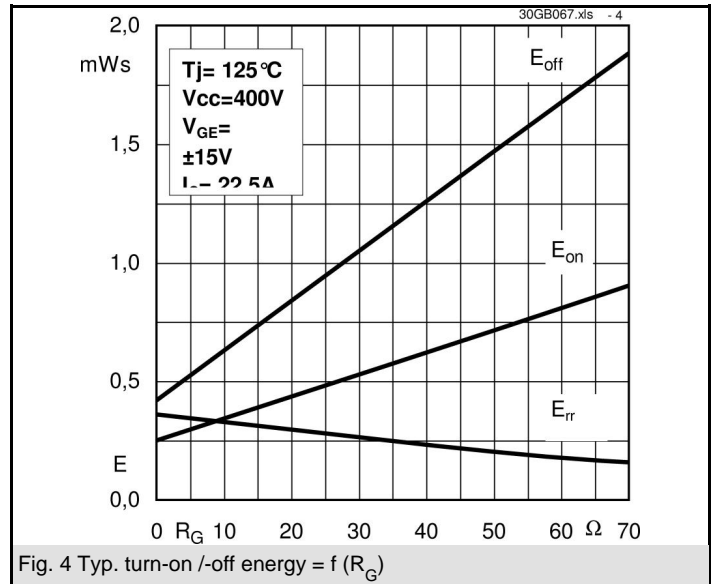
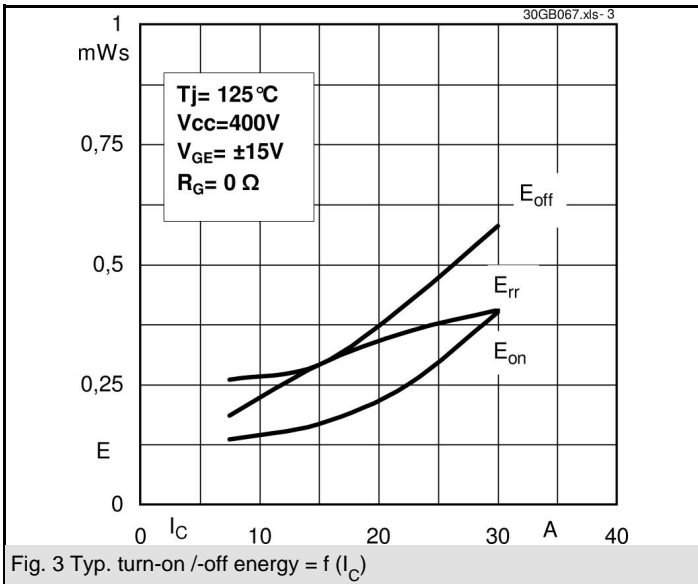
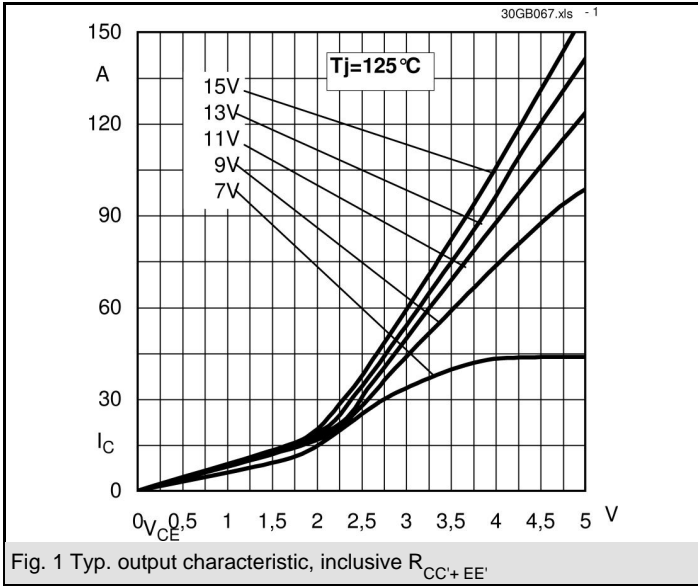
- Switching (not for linear use)
- High Frequencies Applications
- Welding generator
- Switched mode power supplies
- UPS

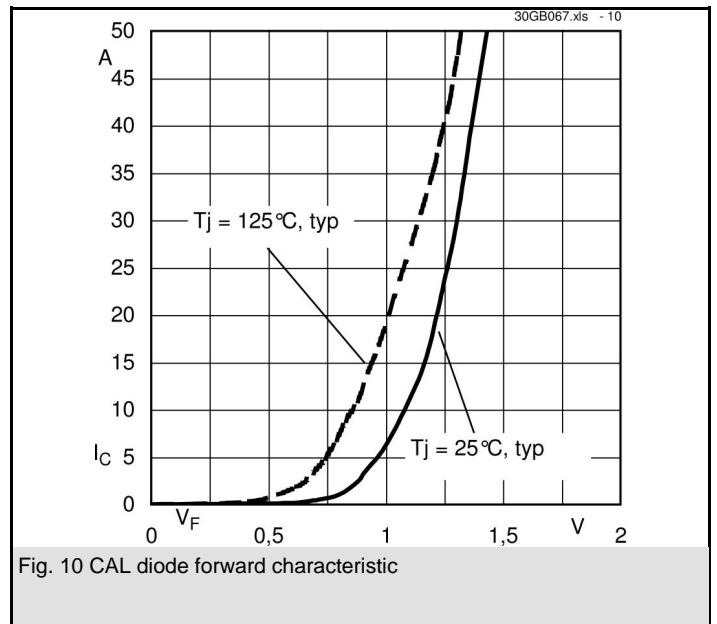
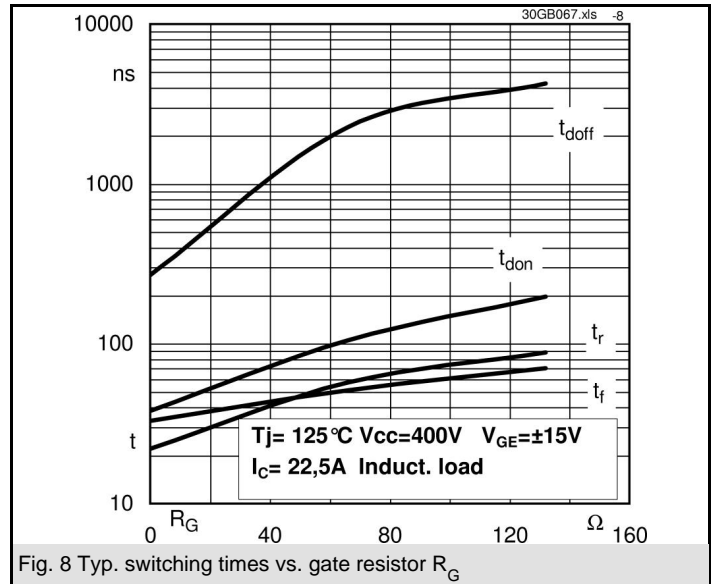
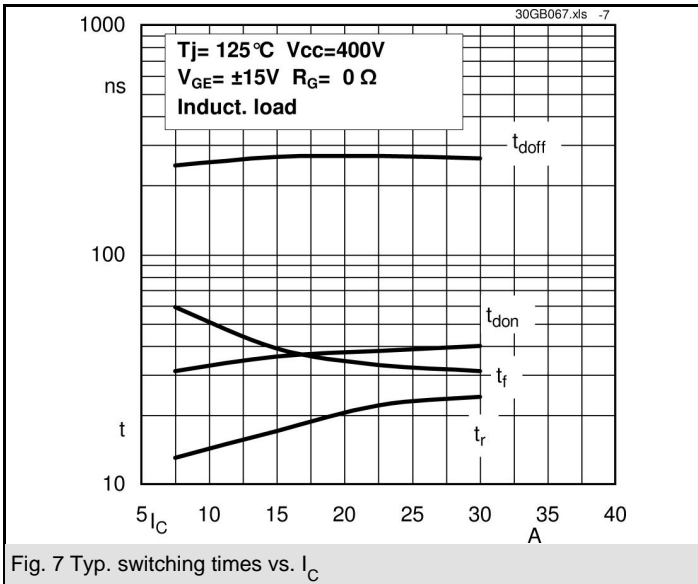


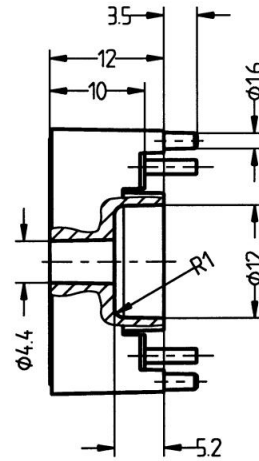
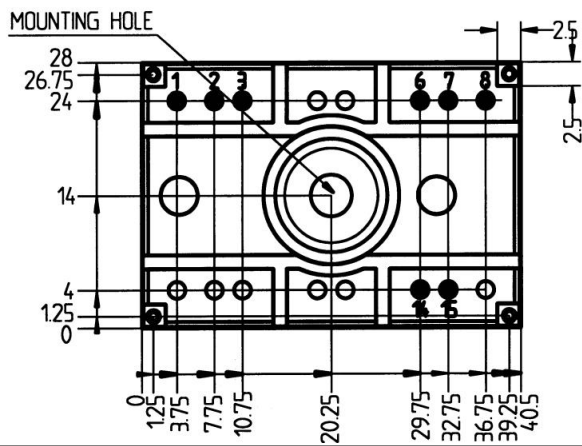
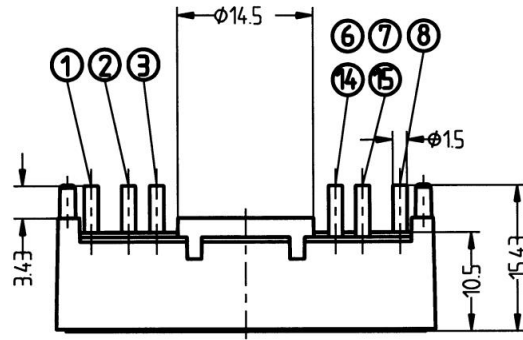
Characteristics					
Symbol	Conditions	min.	typ.	max.	Units
<b>Inverse Diode</b>					
$V_F = V_{EC}$	$I_{Fnom} = 60 \text{ A}; V_{GE} = 0 \text{ V}$			2	V
					$T_j = 25 \text{ }^\circ\text{C}_{chiplev.}$
			1,25		$T_j = 150 \text{ }^\circ\text{C}_{chiplev.}$
$V_{F0}$			1		V
					$T_j = 25 \text{ }^\circ\text{C}$
					$T_j = 150 \text{ }^\circ\text{C}$
$r_F$					$T_j = 25 \text{ }^\circ\text{C}$
					$T_j = 150 \text{ }^\circ\text{C}$
$r_F$			9		mΩ
					mΩ
$I_{RRM}$	$I_F = 30 \text{ A}$		5		A
$Q_{rr}$	$di/dt = -270 \text{ A}/\mu\text{s}$		2		μC
$E_{rr}$	$V_{CC} = 400 \text{ V}$		0,4		mJ
$R_{th(j-s)D}$	per diode			1,6	K/W
<b>Free-wheeling diode</b>					
$V_F = V_{EC}$	$I_{Fnom} = 60 \text{ A}; V_{GE} = 0 \text{ V}$			2	V
					$T_j = 25 \text{ }^\circ\text{C}_{chiplev.}$
			1,25		$T_j = 150 \text{ }^\circ\text{C}_{chiplev.}$
$V_{F0}$			1		V
					$T_j = 25 \text{ }^\circ\text{C}$
					$T_j = 150 \text{ }^\circ\text{C}$
$r_F$					$T_j = 25 \text{ }^\circ\text{C}$
					$T_j = 150 \text{ }^\circ\text{C}$
$r_F$			9		V
					V
$I_{RRM}$	$I_F = 30 \text{ A}$		5		A
$Q_{rr}$	$di/dt = -270 \text{ A}/\mu\text{s}$		2		μC
$E_{rr}$	$V_{CC} = 400 \text{ V}$		0,4		mJ
$R_{th(j-s)FD}$	per diode			1,6	K/W
$M_s$	to heat sink			2	Nm
w			19		g

This is an electrostatic discharge sensitive device (ESDS), international standard IEC 60747-1, Chapter IX.

\* The specifications of our components may not be considered as an assurance of component characteristics. Components have to be tested for the respective application. Adjustments may be necessary. The use of SEMIKRON products in life support appliances and systems is subject to prior specification and written approval by SEMIKRON. We therefore strongly recommend prior consultation of our personal.







Case T32 (Suggested hole diameter, in the PCB, for solder pins and plastic mounting pins: 2mm)

