

SK50MLI065



SEMITOP® 3

IGBT Module

SK50MLI065

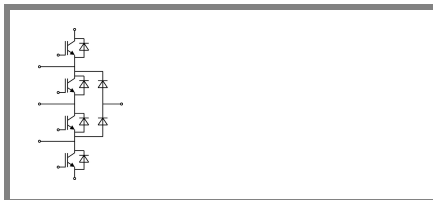
Target Data

Features

- Compact design
- One screw mounting
- Heat transfer and isolation through direct copper bonded aluminium oxide ceramic (DCB)
- Ultra Fast NPT IGBT technology
- CAL technology FWD

Typical Applications*

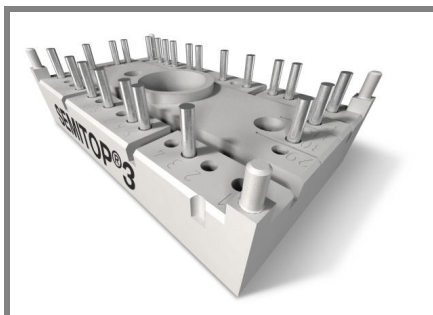
- Multi level inverter



MLI

Absolute Maximum Ratings		$T_s = 25\text{ °C}$, unless otherwise specified		
Symbol	Conditions	Values		Units
IGBT				
V_{CES}	$T_j = 25\text{ °C}$	600		V
I_C	$T_j = 125\text{ °C}$	$T_s = 25\text{ °C}$	54	A
		$T_s = 80\text{ °C}$	40	A
I_{CRM}	$I_{CRM} = 2 \times I_{Cnom}$	120		A
V_{GES}		± 20		V
t_{psc}	$V_{CC} = 300\text{ V}; V_{GE} \leq 20\text{ V}; T_j = 125\text{ °C}$ $V_{CES} < 600\text{ V}$	10		μs
Inverse Diode				
I_F	$T_j = 150\text{ °C}$	$T_s = 25\text{ °C}$	36	A
		$T_s = 80\text{ °C}$	24	A
I_{FRM}	$I_{FRM} = 2 \times I_{Fnom}$			A
I_{FSM}	$t_p = 10\text{ ms}; \text{half sine wave } T_j = 150\text{ °C}$	200		A
Freewheeling Diode				
I_F	$T_j = 150\text{ °C}$	$T_{case} = 25\text{ °C}$	64	A
		$T_{case} = 80\text{ °C}$	42	A
I_{FRM}				A
I_{FSM}	$t_p = 10\text{ ms}; \text{half sine wave } T_j = 150\text{ °C}$	440		A
Module				
$I_{t(RMS)}$				A
T_{vj}		-40 ... +150		$^{\circ}\text{C}$
T_{stg}		-40 ... +125		$^{\circ}\text{C}$
V_{isol}	AC, 1 min.	2500		V

Characteristics		$T_s = 25\text{ °C}$, unless otherwise specified			
Symbol	Conditions	min.	typ.	max.	Units
IGBT					
$V_{GE(th)}$	$V_{GE} = V_{CE}, I_C = 1,4\text{ mA}$	3	4	5	V
I_{CES}	$V_{GE} = 0\text{ V}, V_{CE} = V_{CES} T_j = 25\text{ °C}$			0,0044	mA
I_{GES}	$V_{CE} = 0\text{ V}, V_{GE} = 20\text{ V} T_j = 25\text{ °C}$			240	nA
V_{CE0}		$T_j = 25\text{ °C}$	1,4	1,9	V
		$T_j = 125\text{ °C}$	1,7	2,2	V
r_{CE}	$V_{GE} = 15\text{ V}$	$T_j = 25\text{ °C}$			m Ω
		$T_j = 125\text{ °C}$	22		m Ω
$V_{CE(sat)}$	$I_{Cnom} = 60\text{ A}, V_{GE} = 15\text{ V}$	$T_j = 25\text{ °C}_{chiplev.}$	1,8		V
		$T_j = 125\text{ °C}_{chiplev.}$	2,1		V
C_{ies}	$V_{CE} = 25, V_{GE} = 0\text{ V} f = 1\text{ MHz}$	3,2		nF	
C_{oes}		0,3		nF	
C_{res}		0,18		nF	
$t_{d(on)}$	$R_{Gon} = 15\text{ }\Omega$	$V_{CC} = 300\text{ V}$ $I_C = 40\text{ A}$	60		ns
t_r			30		ns
E_{on}	$R_{Goff} = 15\text{ }\Omega$	$T_j = 125\text{ °C}$ $V_{GE} = \pm 15\text{ V}$	1,07		mJ
$t_{d(off)}$			223		ns
t_f			20		ns
E_{off}			0,76		mJ
$R_{th(j-s)}$	per IGBT			0,85	K/W



SEMITOP[®] 3

IGBT Module

SK50MLI065

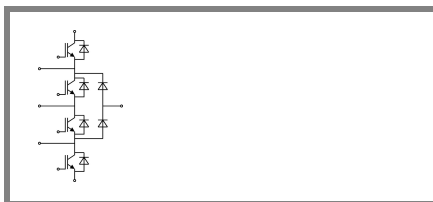
Target Data

Features

- Compact design
- One screw mounting
- Heat transfer and isolation through direct copper bonded aluminium oxide ceramic (DCB)
- Ultra Fast NPT IGBT technology
- CAL technology FWD

Typical Applications*

- Multi level inverter



MLI

Characteristics						
Symbol	Conditions		min.	typ.	max.	Units
Antiparallel Diode (D1)						
$V_F = V_{EC}$	$I_{Fnom} = 25 \text{ A}; V_{GE} = 0 \text{ V}$	$T_j = 25 \text{ }^\circ\text{C}_{chiplev.}$		1,45		V
		$T_j = 125 \text{ }^\circ\text{C}_{chiplev.}$		1,4		V
V_{F0}		$T_j = 25 \text{ }^\circ\text{C}$				V
		$T_j = 125 \text{ }^\circ\text{C}$		0,85		V
r_F		$T_j = 25 \text{ }^\circ\text{C}$				mΩ
		$T_j = 125 \text{ }^\circ\text{C}$		22		mΩ
I_{RRM}	$I_F = 50 \text{ A}$	$T_j = 125 \text{ }^\circ\text{C}$				A
Q_{rr}	$di/dt = -2400 \text{ A}/\mu\text{s}$					μC
E_{rr}	$V_R = 300\text{V}$					mJ
$R_{th(j-s)D}$	per diode				1,7	K/W
Freewheeling Diode (D2)						
$V_F = V_{EC}$	$I_{Fnom} = 50 \text{ A}; V_{GE} = 0 \text{ V}$	$T_j = 25 \text{ }^\circ\text{C}_{chiplev.}$		1,45		V
		$T_j = 125 \text{ }^\circ\text{C}_{chiplev.}$		1,4		V
V_{F0}		$T_j = 125 \text{ }^\circ\text{C}$		0,85		V
r_F		$T_j = 125 \text{ }^\circ\text{C}$		11		V
I_{RRM}	$I_F = 50 \text{ A}$	$T_j = 125 \text{ }^\circ\text{C}$				A
Q_{rr}	$di/dt = -2400 \text{ A}/\mu\text{s}$					μC
E_{rr}	$V_R = 300\text{V}$					mJ
$R_{th(j-s)FD}$	per diode				1,1	K/W
M_s	to heat sink		2,25		2,5	Nm
w				30		g

This is an electrostatic discharge sensitive device (ESDS), international standard IEC 60747-1, Chapter IX.

* The specifications of our components may not be considered as an assurance of component characteristics. Components have to be tested for the respective application. Adjustments may be necessary. The use of SEMIKRON products in life support appliances and systems is subject to prior specification and written approval by SEMIKRON. We therefore strongly recommend prior consultation of our personal.

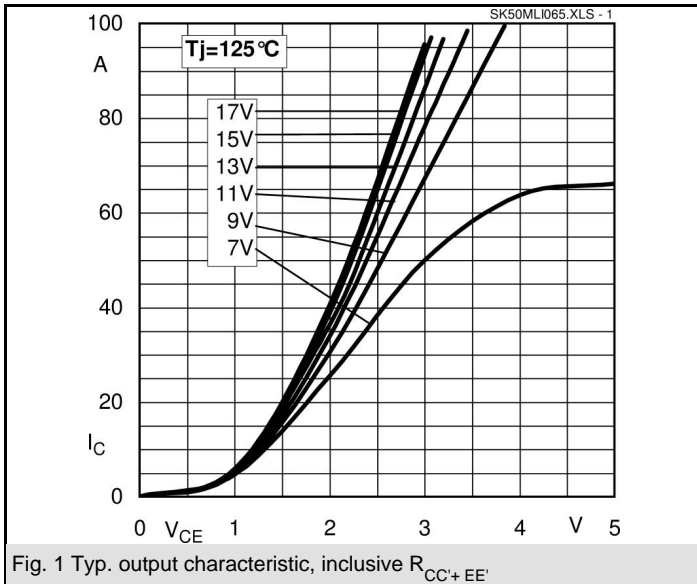


Fig. 1 Typ. output characteristic, inclusive $R_{CC+EE'}$

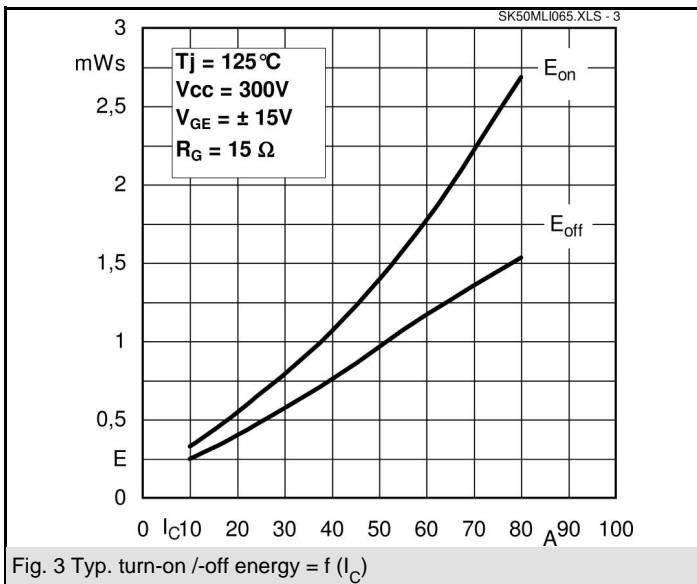


Fig. 3 Typ. turn-on /-off energy = $f(I_C)$

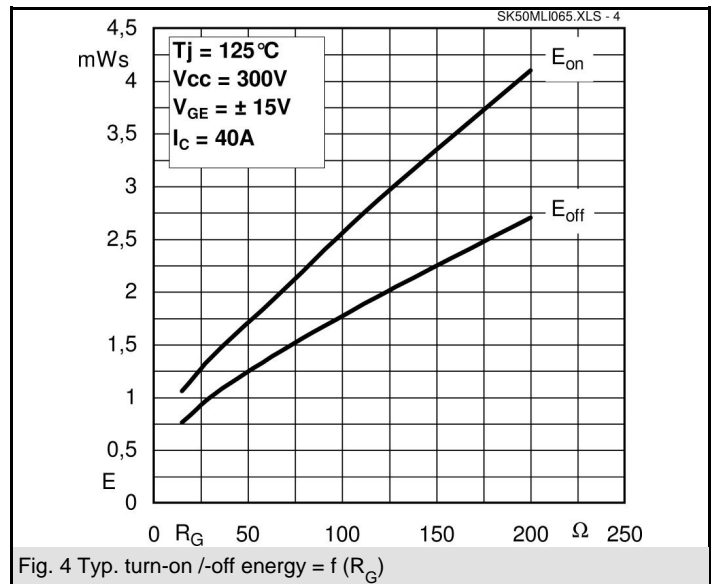


Fig. 4 Typ. turn-on /-off energy = $f(R_G)$

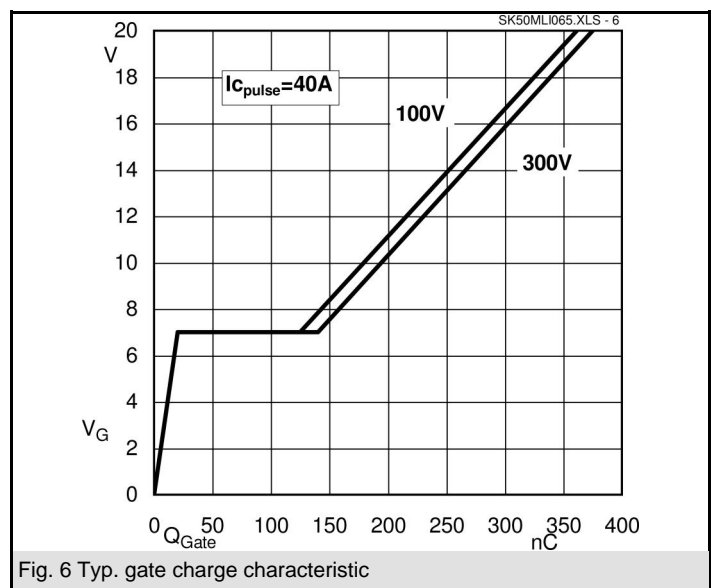
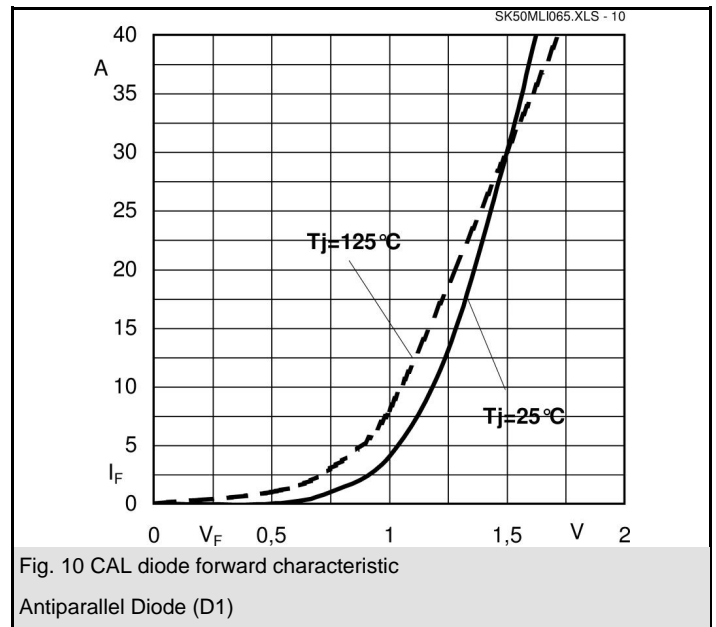
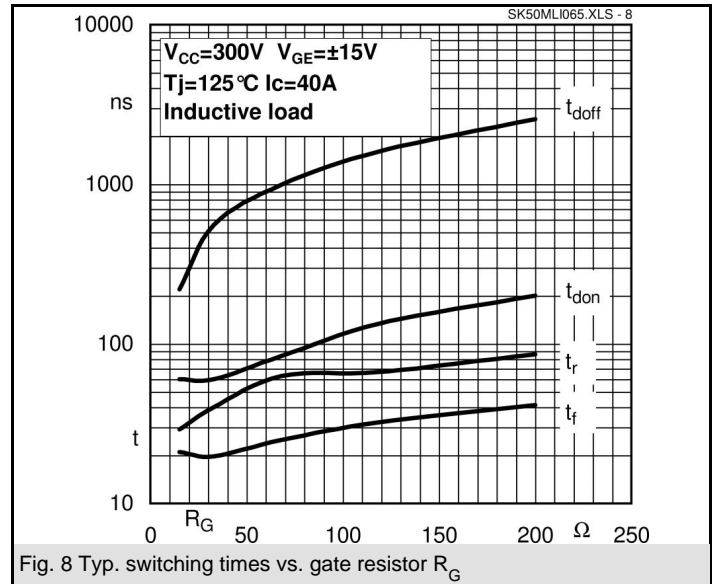
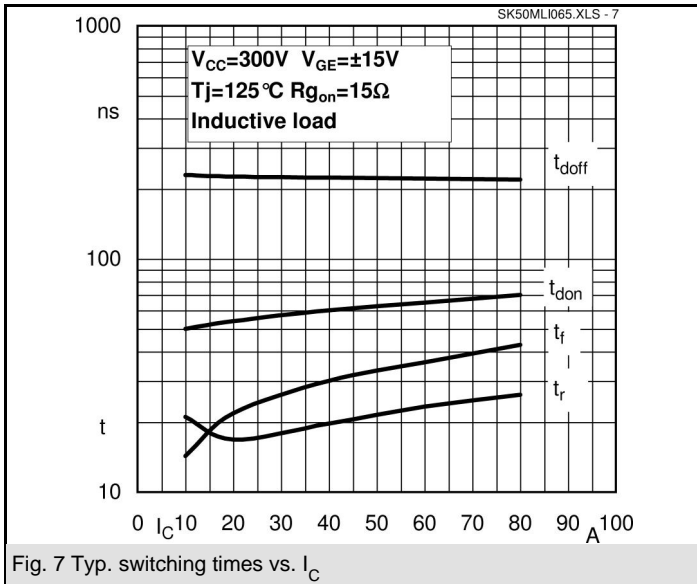
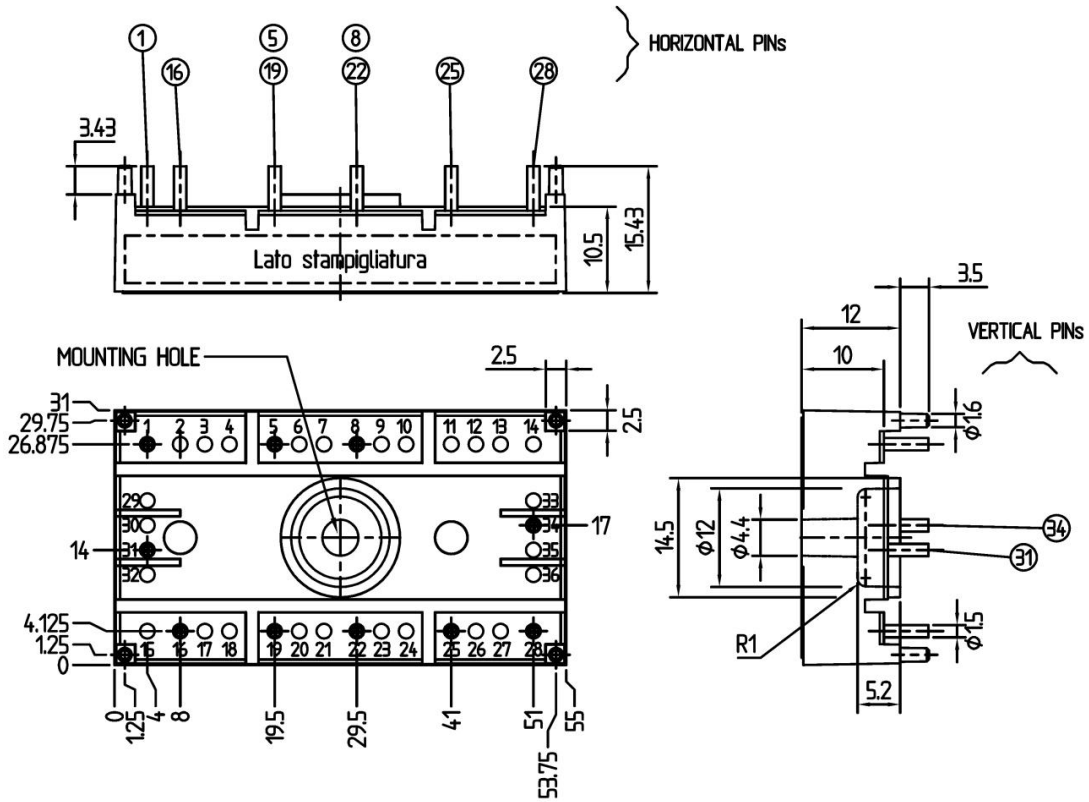
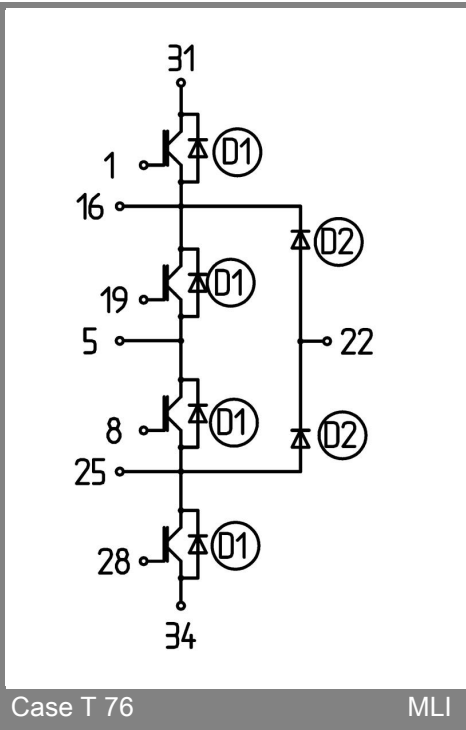


Fig. 6 Typ. gate charge characteristic





Case T 76 (Suggested hole diameter, in the PCB, for solder pins and plastic mounting pins: 2mm)



Case T 76

MLI